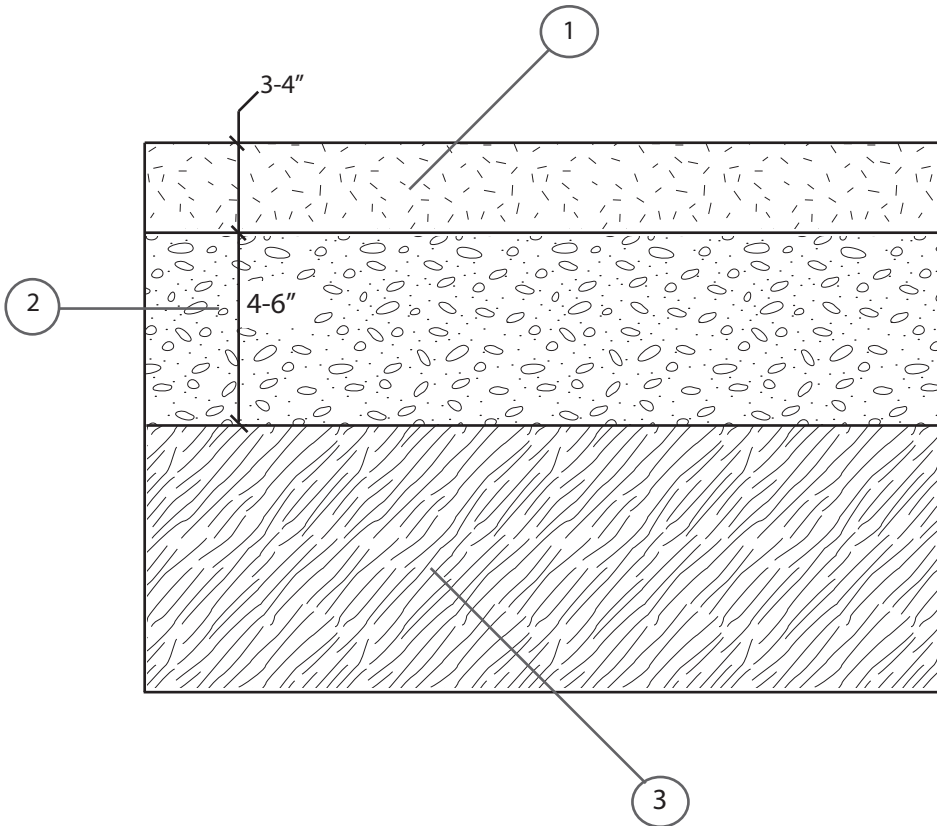




STABILIZED PATHWAY MIX - CROSS SECTION



- ① 3 TO 4-INCHES OF STABILIZED DECOMPOSED GRANITE/CRUSHED STONE PATHWAY MIX, AS SPECIFIED.
- ② 4 TO 6-INCHES OF COMPACTED BROKEN STONE OR YOUR STATE'S APPROVED DOT BASE COURSE.
- ③ COMPACTED SUBGRADE.



Kafka Granite LLC
101 S. Weber Ave Stratford, WI 54484
Ph: 715-687-2423 / Toll Free: 800-852-7415 / Fax: 715-687-2395
www.kafkagranite.com